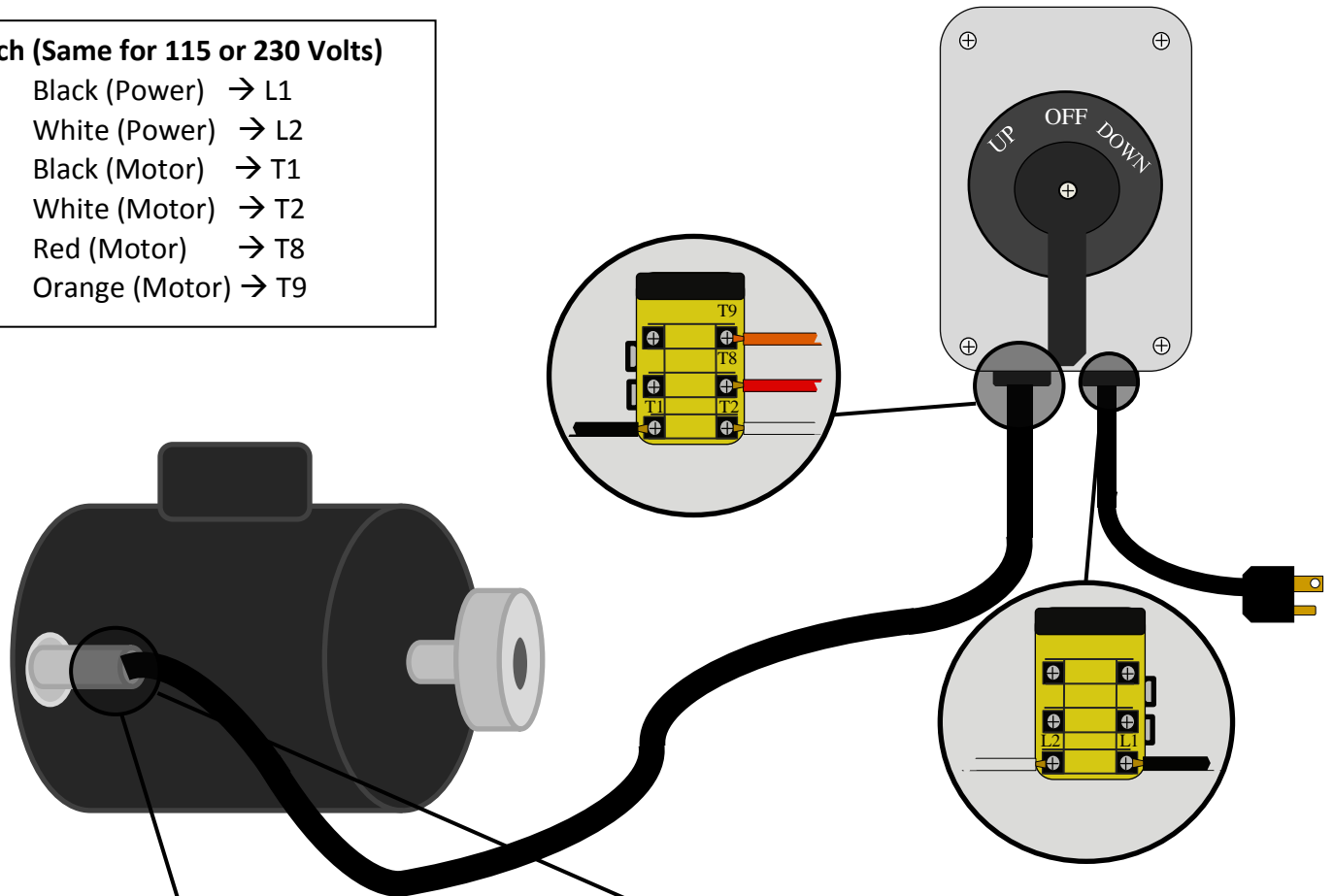


Wiring AMS/AO Smith/Regal Beloit Motors (1/2, 3/4, 1.0, 1 1/2 HP) to Standard Drum Switch

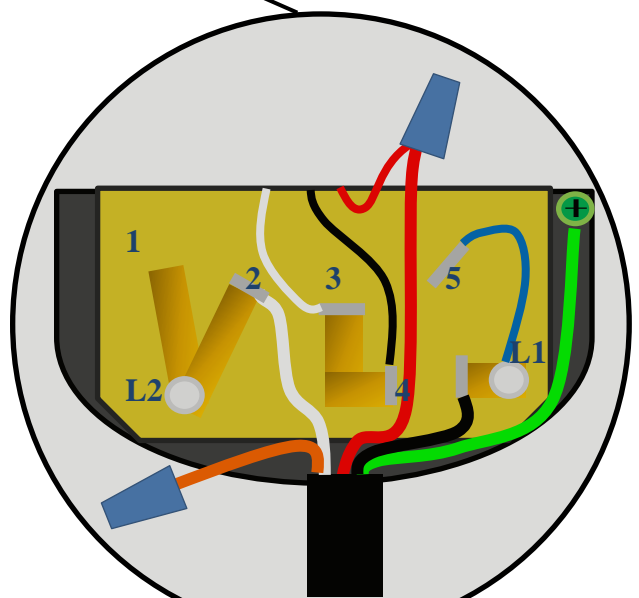
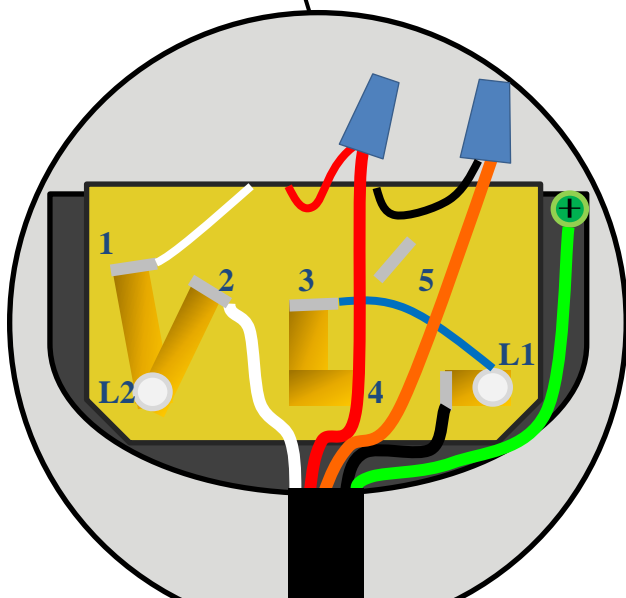
Switch (Same for 115 or 230 Volts)

- Black (Power) → L1
- White (Power) → L2
- Black (Motor) → T1
- White (Motor) → T2
- Red (Motor) → T8
- Orange (Motor) → T9



For 115 Volts

For 230 Volts



Motor White → 1		Motor Blue → 3
Switch Black → L1		Switch White → L2
Switch Red → Motor Red		Switch Orange → Motor Black

Motor White → 3		Motor Blue → 5		Motor Black → 4
Switch Black → L1		Switch White → L2		
Switch Red → Motor Red		Switch Orange → Capped Off		